



SUBARU

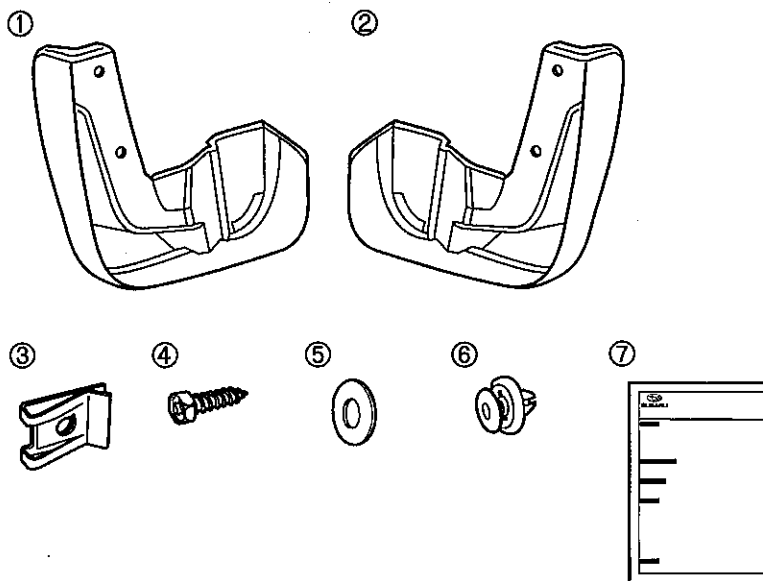
Name : SPLASH GUARD/FRONT SET
Part No. : J1010FJ151## 4door , 5door

IMPREZA

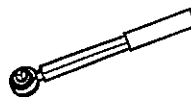
Installation manual

Component parts

No.	Part name	Quantity
①	Splash Guard F-RH	1
②	Splash Guard F-LH	1
③	J-Nut	4
④	Screw	4
⑤	Washer	4
⑥	Push Rivet	2
⑦	Installation Instruction	1



Tools



Important notes

Be careful when driving after installing this product as ground clearance at the wheel arch decreased by approximately 1.6 cm. (0.63 inches).

Fahren Sie nach der Installation dieses Produkts vorsichtig, da die Bewegungsfreiheit 1.6 cm (0.63 Zoll) reduziert ist.

Tenga cuidado cuando conduzca despues de instalar este producto, debido a que la distancia al suelo en el arco disminuye aproximadamente 1.6 cm (0.63 pulgadas), respectivamente.

Faites attention lors de la conduite du vehicule apres la reponse de ce produit, au niveau du passage de etant reduite d'environ 1.6cm (0.63 pouces) respectivement.

Prestare attenzione durante la guida dopo l'installazione di questo prodotto stata ridotta distanza da terra sul circa 1.6 cm (0.63 pollici).

Meaning of Characters



Remove



Discard



Install



Tightening Torque

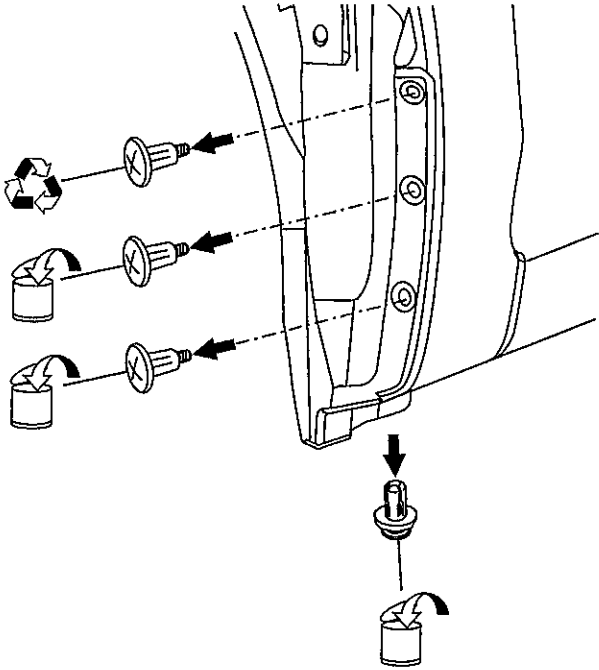


Re-use

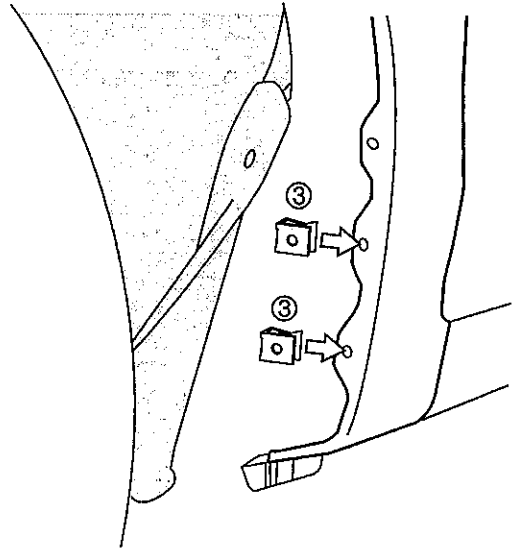
Hardware Set : J1010FJ157

Work outline

1



2



3

